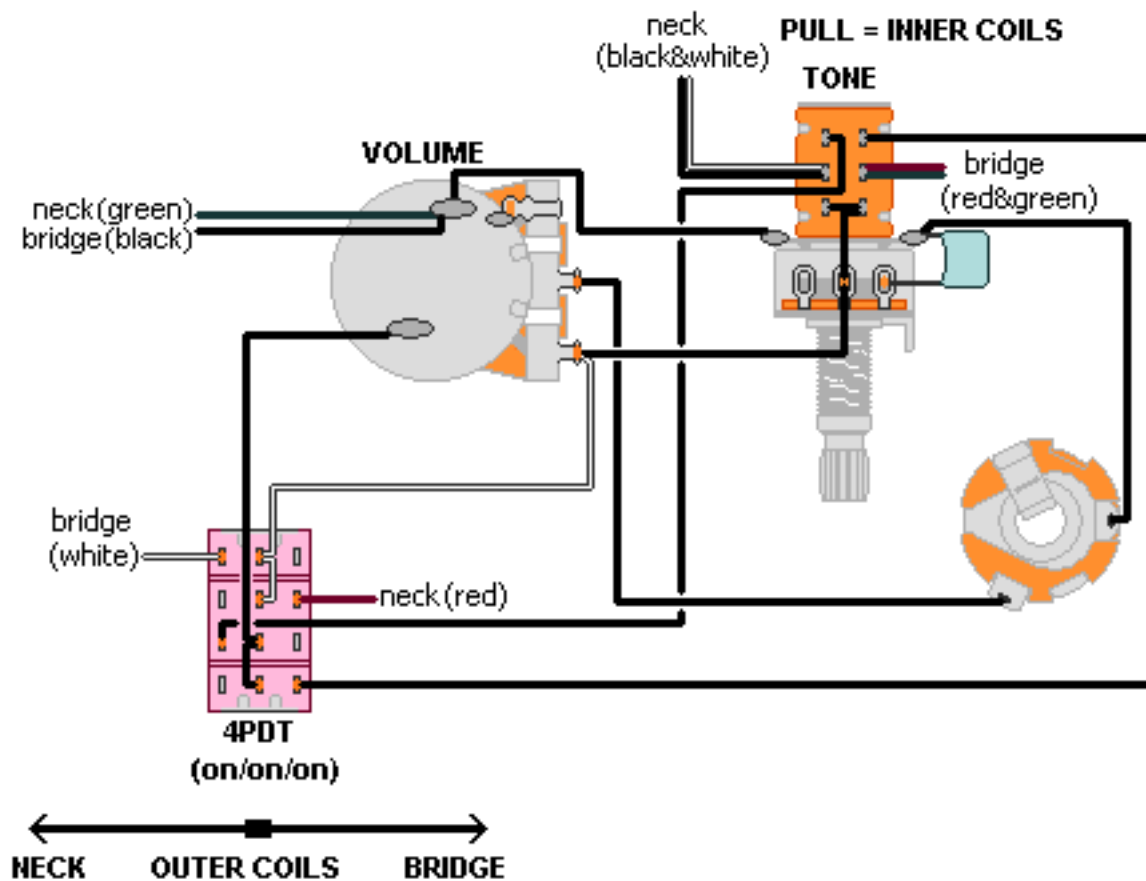


DiMarzio, Inc.

1388 Richmond Terrace, PO Box 100387, Staten Island, NY 10310, Tel(718)981-9286, Fax(718)720-5296

TWO HUM., SPLIT CENTER

(Both pickups should have their cables towards the controls)



Both pickups should be placed with their cables toward the controls.

**Note: Tailpiece should be connected to common ground.
All grounds \perp must be connected.**

Copyright (C) 2010 DiMarzio, Inc. All rights reserved