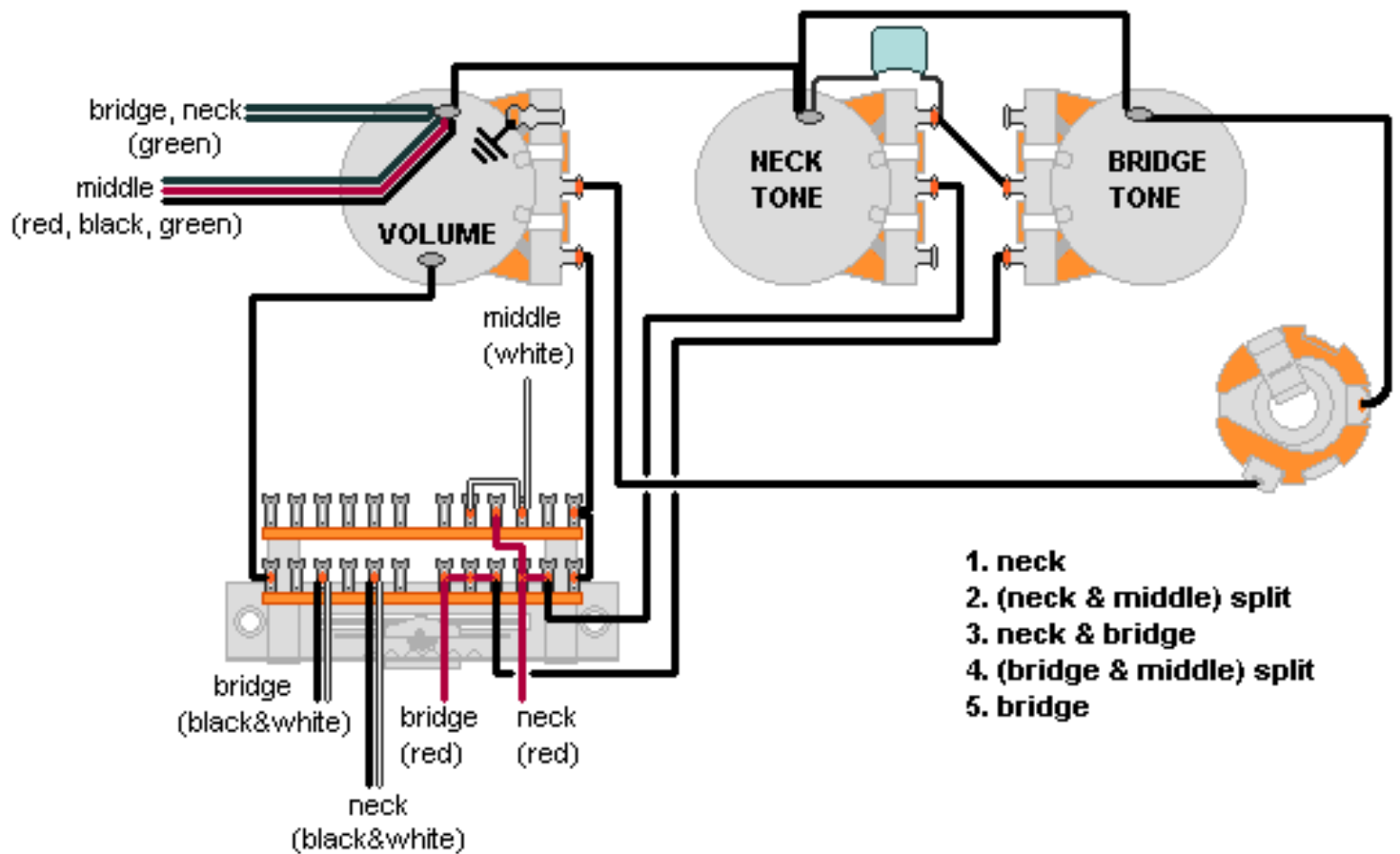


3 HUM. STRAT WIRING



**Note: Tailpiece should be connected to common ground.
All grounds \perp must be connected.**