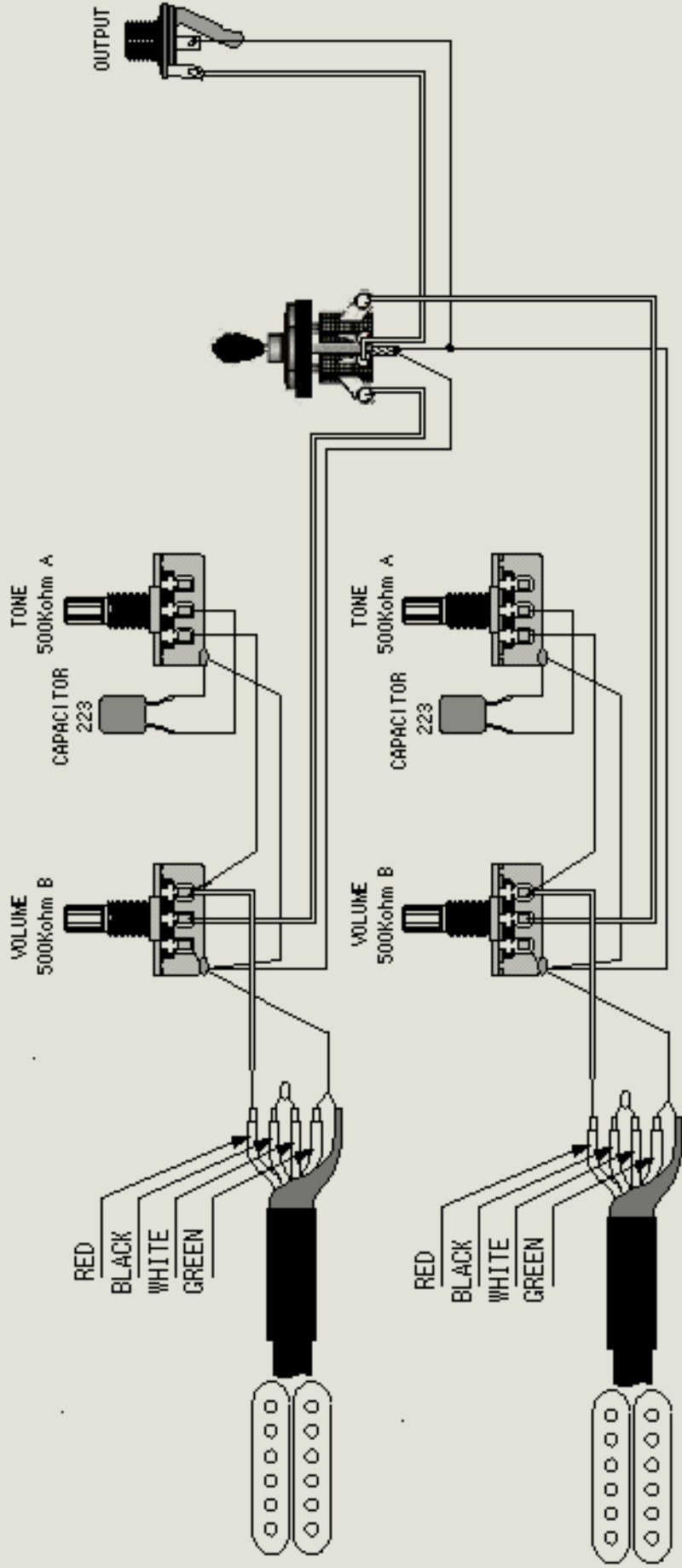


DIMARZIO HUMBUCKERS IN BOTH POSITIONS



Drawing Num ber.	Model Num ber	Switch Function	Drawing by	Date
W'04002W	AR120,AR2200M,AR532	PU SELECT (H-H)	V.022V	04/4/08
			Memo	
			WORLD	

HOSHINO GAKKI CO., LTD.
 No.22, JOHANE, SHUNOBUCHO, HIGASHIRUINOJOYA, JPWN
 TEL:062-301-0086 FAX:062-307-4729