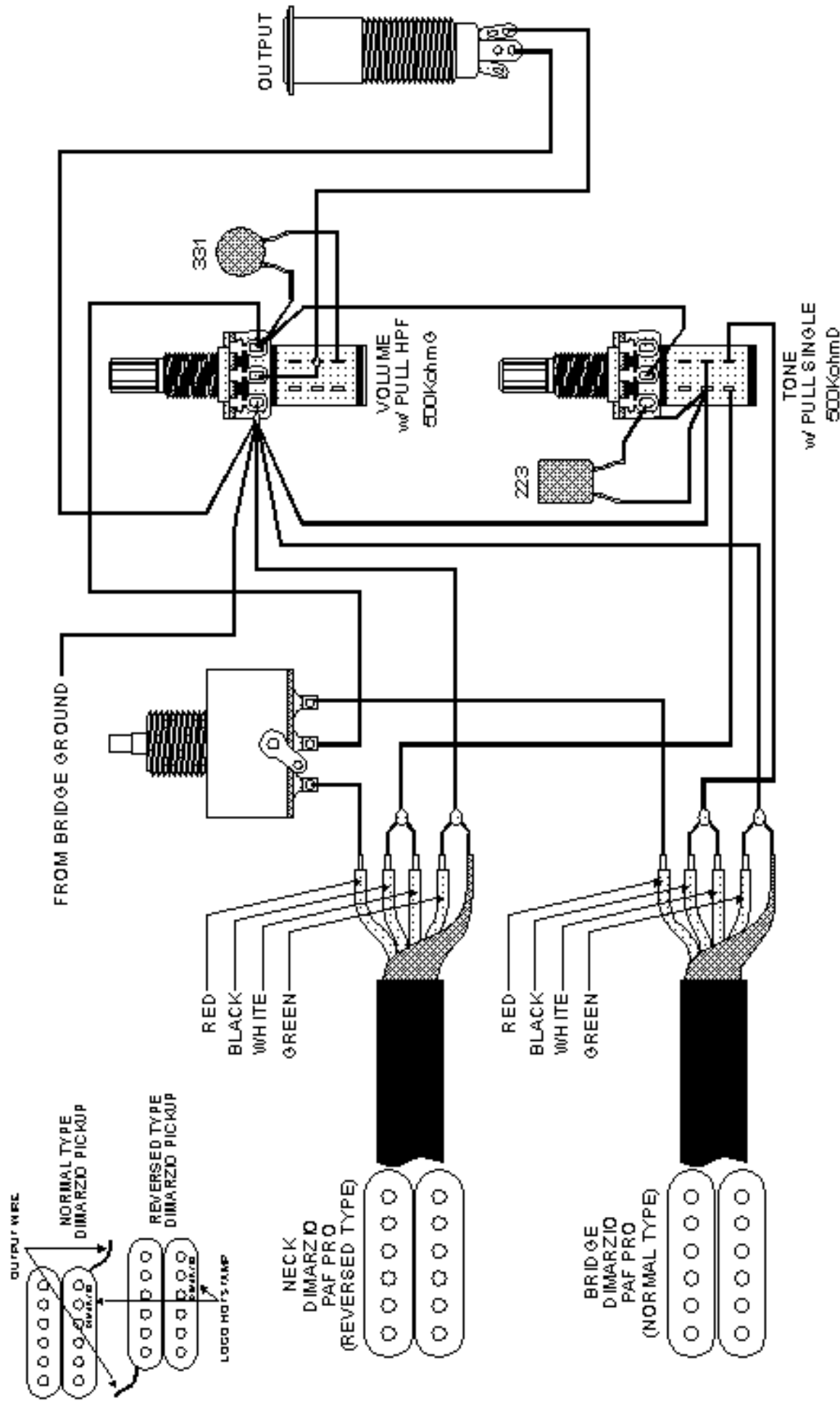


A



MODEL NUMBER	MODEL NAME	APPROVED BY	CHECKED BY	DRAWING BY	SCALE
J6	'94, '95, '98: J61000, J61000				
HOSHINO GAKKI CO., LTD. No. 22, 3-CHOME, SHIMO KU-CHO, HIGASHI-KU, NAGOYA, JAPAN		DRAWING NUMBER	DATE	SIZE	
		W196025	96/07/24	A4	