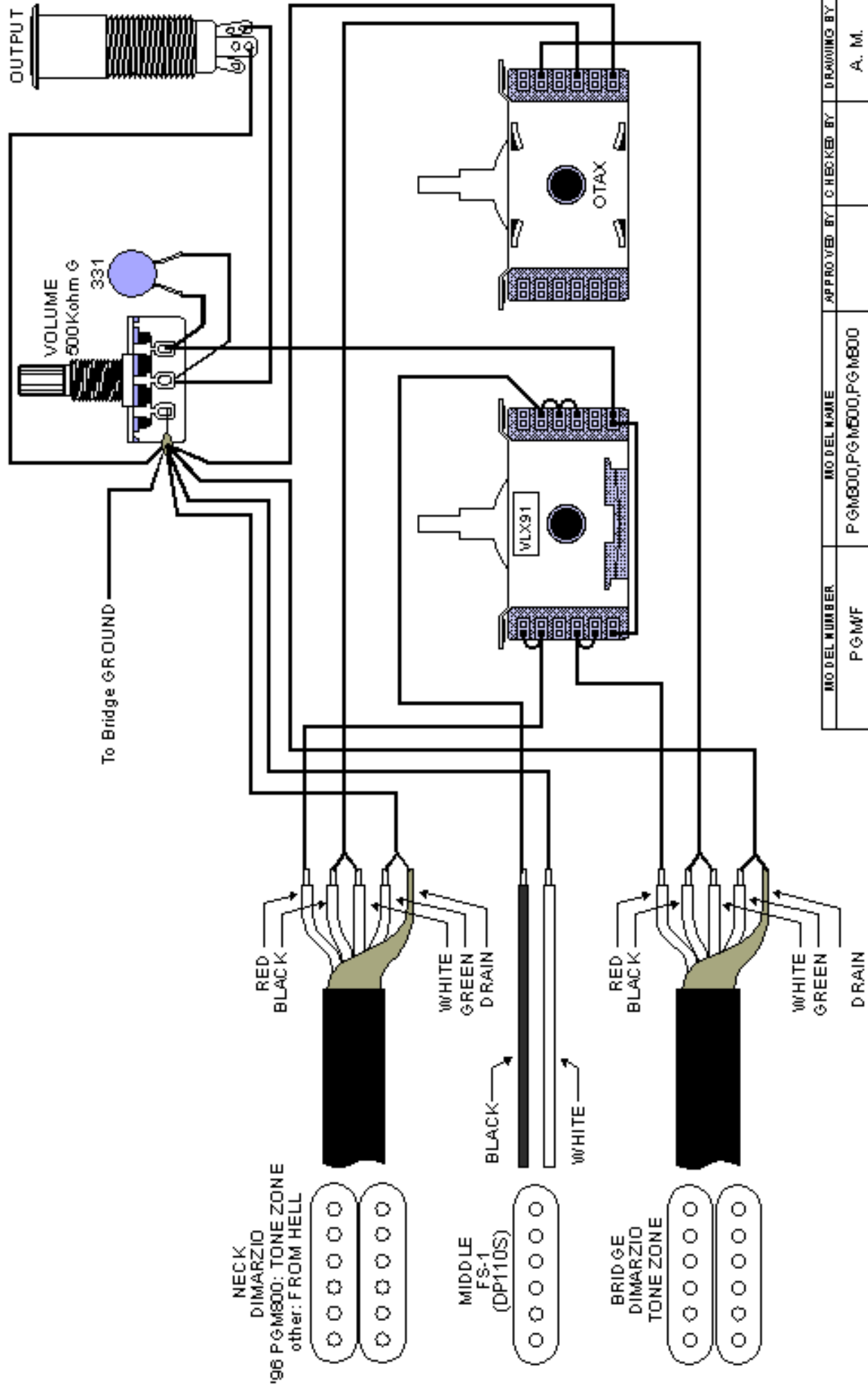




2 DIMARZIO HUMBUCKERS PLUS REVERSE-POLARITY SINGLE-COIL



MODEL NUMBER	MODEL NAME	APPROVED BY	CHECKED BY	DRAWING BY	SCALE
PGWF	PGM800,PGM600,PGM800			A. M.	
HOSHINO GAKKI CO., LTD. No. 22, 3-CHOME, SHIMOKU-CHO, HIGASHI-KU, NAGOYA, JAPAN TEL: 052-531-0034 FAX: 052-531-4729		DRAWING NUMBER		DATE	SIZE
		W97013		'97/01/30	A4