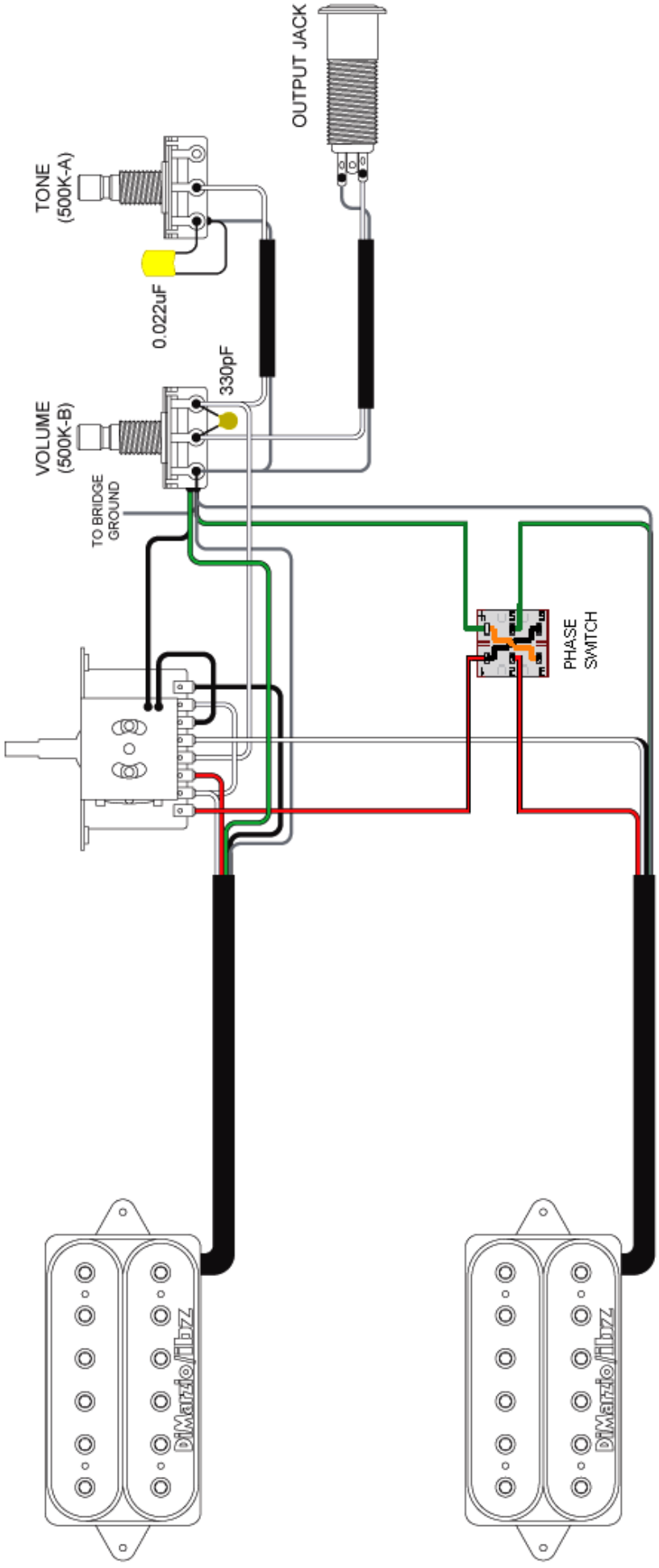
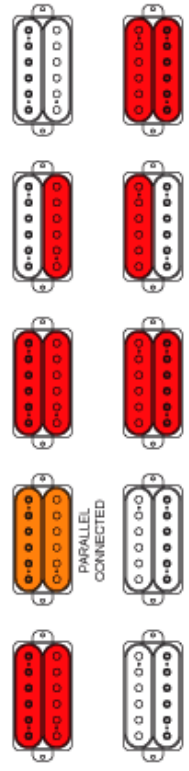


NECK ← → BRIDGE



NECK ← → BRIDGE



TITLE		MODEL	
WIRING DIAGRAM		RG2620E-CBK-00-02	
DRAWN	DATE		
KOICHI FUJIHARA	JUL 31 2005		

